

Venetian Blinds

Create light control and privacy with this design classic



Perfect for any room

Venetian blinds also offer options for rooms where there's moisture in the air.



Sustainable solutions

Venetian Blinds are made out of 98% recycled aluminium according to the highest standards.



Designed with Safety

Making products safer for homes is an integral part of our design philosophy.



Motorisation

Our clever motorised systems give you complete control of your Venetian blinds.



Venetian Blinds



Venetian Blinds - 25mm Aluminium

General specifications

Luxaflex® 25mm Venetian blinds are manufactured with the highest quality aluminum coil and polyester cords. Operation of the blind is via a lift cord fitted with a break-away cord connector and fed through a shockproof cord lock. Tilting is done with a self-lubricating tilter with an attached clear PVC tilt wand. Blinds can be motorized with a 12V tilt & lift motor.

All blinds will be assembled with the tilt control and the lift cord together on the RIGHT hand side, unless otherwise requested.

The blind is fitted with a steel head- & bottom rail. The high-quality paint on the rails should be sufficient to protect it from corrosion. However, in areas with extremely acid or saline atmospheric conditions, we can't fully guarantee that the cut edges of the rails will not be affected by corrosion, especially in front of windows which are frequently open.

Blinds are supplied with universal swivel brackets and are suitable for both recess- & wall mounting.

No valance will be supplied with the blind and the headrail will remain uncovered.

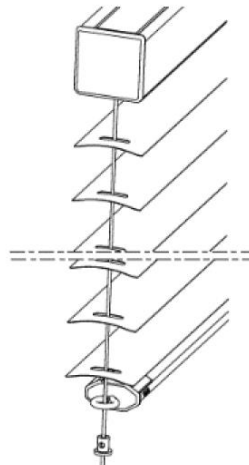
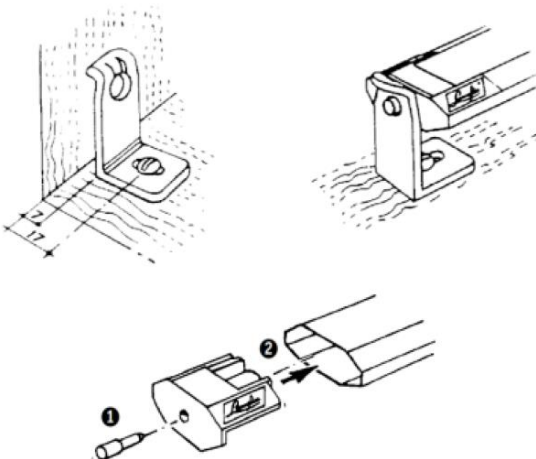
The blind can be fitted with hold-down brackets & pins. This will keep the bottom rail in place but still allow for tilting of the slats. Refer to the surcharge table.

Side guiding is available. Additional holes are punched on either end of each slat. Steel cables are fixed in the headrail & fed through the punched holes of the slats and eyelet screws fitted in the endcaps of the bottom rail. The bottom rail is narrower than the blind width to accommodate the eyelet guides. Refer to the surcharge table.

The performance of blinds less than the minimum width will be adversely affected.

Hold-down bracket with pin

Side-guide cable with eyelet



Vintage Venetian Blinds – 50mm Aluminium

General specifications

Luxaflex® Vintage Venetian blinds are characterized by the curved slat ends but a "straight cut" option on the slats is available. Rails, tapes, cords and plastic componentry remain the same irrespective of the selected slat profile.

Blinds are manufactured with the highest quality aluminum coil and polyester cords. Operation of the blind is via a lift cord fitted with a break-away cord connector and fed through a shockproof cord lock. Tilting is done with a stainless steel tilter & tilt cords. Blinds can be motorized with a 220V tilt & lift motor with either a wired- or RTS connection.

All blinds will be assembled with the tilt control LEFT and the lift cord RIGHT, unless otherwise requested. All cord operated blinds will be supplied with a break-away cord connector, cord equaliser and cord cleats to assist with cord management.

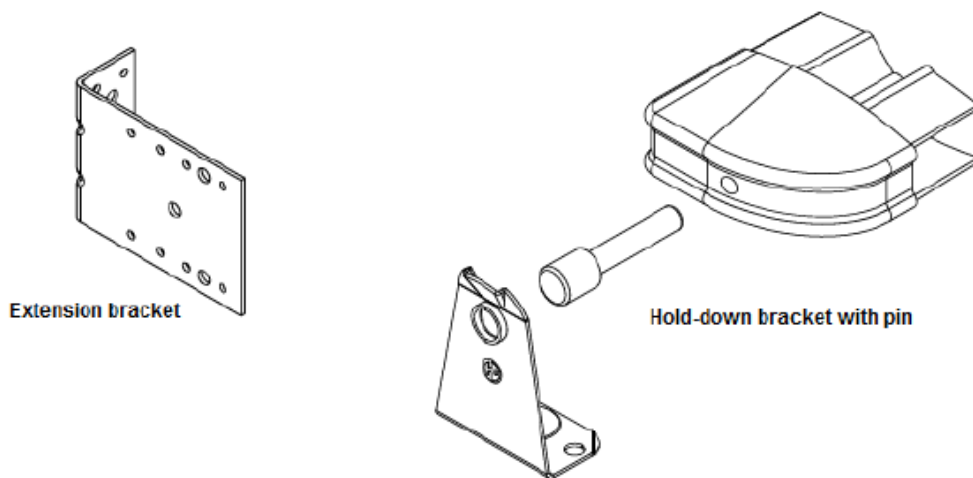
Blinds are suitable for both recess- & wall mounting with the use of universal swivel brackets. Extension brackets are available. See surcharge table.

Blinds are supplied with steel head- & bottom rails. The high-quality paint on the rails should be sufficient to protect it from corrosion. However, in areas with extremely acid or saline atmospheric conditions we can't fully guarantee that the cut edges of the head- and bottom rail will not be affected by corrosion, especially in front of windows which are frequently open.

Blinds are supplied with a slat valance and clear plastic clips as default.

Blinds are fitted with classic string tape as default. Heritage cotton tape is available on request.

Blinds can be fitted with hold-down brackets with pins. Hold-down brackets will keep the bottom rail in place while allowing the slats to be tilted. Hold-down brackets can be fitted recess or on face.



"Classic String Tape"



Vintage slat valance & clips



"Heritage Cotton Tape"