



The warmth & beauty of real Bass wood.
Finest kiln dried timber from controlled warping.
Optimum balance between strength, lightness and durability.
Wood components are protected by a UV resistant acrylic stain.
Slat end are sealed in production.



window styling

Wood Blinds

Nature's warmth and beauty, in your home

With its natural beauty, wood has long been an inspiration and delight. Its calming and reassuringly solid presence provides a welcome contrast to the hustle and bustle of modern daily life. Luxaflex® Wood Blinds bring all these qualities home to you.



Form Wood Venetian Blinds – 50mm

General specifications

Luxaflex® Form Wood Venetian blinds are manufactured from precision extruded Advanced Engineering Polymer to ensure consistency of finish, dimensions and colour.

Operation of the blind is via a lift cord fitted with a break-away cord connector and fed through a shockproof cord lock. Tilting is done with a stainless steel tilter & tilt cords. Blinds can be motorized with a 220V tilt & lift motor with either a wired- or RTS connection.

All blinds will be assembled with the tilt control LEFT and the lift cord RIGHT, unless otherwise requested. All cord operated blinds will be supplied with a break-away cord connector, cord equaliser and cord cleats to assist with cord management.

Control cord length = installation height – 1500mm. If no installation height is specified, the maximum cord length we are allowed to supply for blinds with a drop less than 2500mm is 1000 mm.

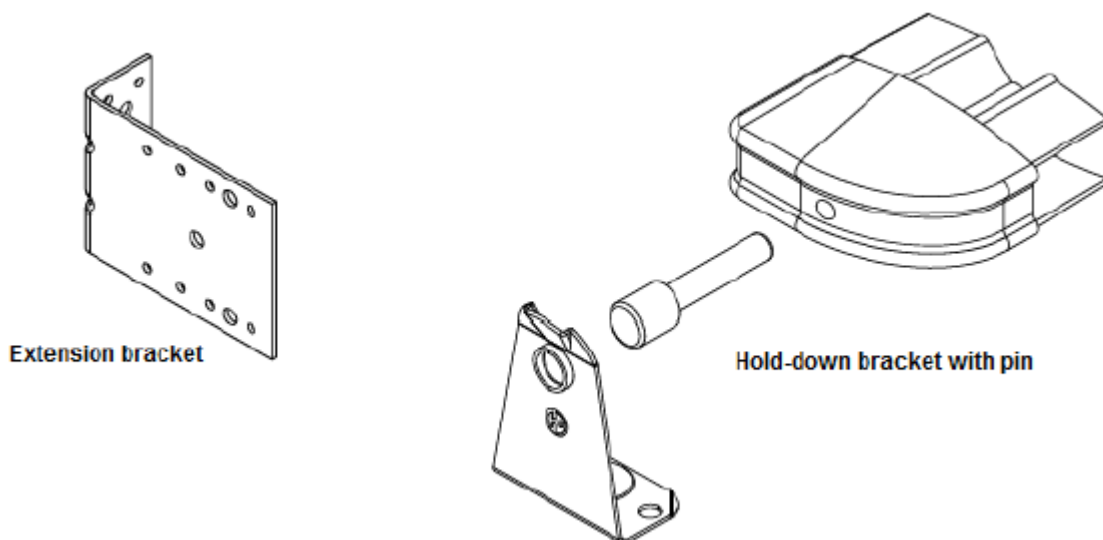
Blinds are suitable for both recess- & wall mounting with the use of universal swivel brackets. Extension brackets are available. See surcharge table.

Blinds are supplied with steel head rail. The high-quality paint on the rails should be sufficient to protect it from corrosion. However, in areas with extremely acid or saline atmospheric conditions we can't fully guarantee that the cut edges of the head- and bottom rail will not be affected by corrosion, especially in front of windows which are frequently open.

Blinds are supplied with a 63mm profiled valance and clear plastic clips as default. For face fix applications, 2x mitred returns will be supplied.

Blinds are fitted with classic string tape as only. Heritage cotton tape is not available.

Blinds can be fitted with hold-down brackets with pins. Hold-down brackets will keep the bottom rail in place while allowing the slats to be tilted. Hold-down brackets can be fitted recess or on face.



Extension bracket

Hold-down bracket with pin

Wood Venetian Blinds – 50mm

General specifications

Luxaflex® Wood Venetian blinds are manufactured from bass wood, kiln dried for stability. All surfaces are stained/painted with multiple layers and finished with a transparent acrylic- or Polyurethane coating for UV stability. All cut ends are sealed during assembly of the blind with colour coordinated acrylic paint to prevent moisture ingress.

Operation of the blind is via a lift cord fitted with a break-away cord connector and fed through a shockproof cord lock. Tilting is done with a stainless steel tilter & tilt cords. Blinds can be motorized with a 220V tilt & lift motor with either a wired- or RTS connection.

All blinds will be assembled with the tilt control LEFT and the lift cord RIGHT, unless otherwise requested. All cord operated blinds will be supplied with a break-away cord connector, cord equaliser and cord cleats to assist with cord management.

Control cord length = installation height – 1500mm. If no installation height is specified, the maximum cord length we are allowed to supply for blinds with a drop less than 2500mm is 1000 mm.

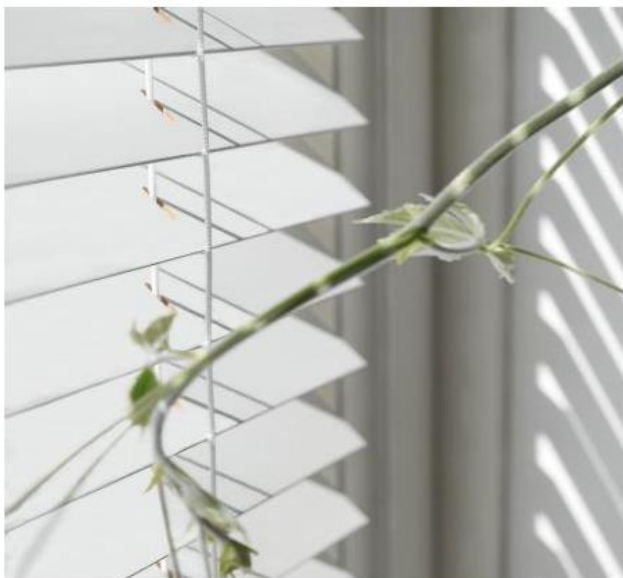
Blinds are suitable for both recess- & wall mounting with the use of universal swivel brackets. Extension brackets are available. See surcharge table.

Blinds are supplied with steel head rail. The high-quality paint on the rails should be sufficient to protect it from corrosion. However, in areas with extremely acid or saline atmospheric conditions we can't fully guarantee that the cut edges of the head- and bottom rail will not be affected by corrosion, especially in front of windows which are frequently open.

Blinds are supplied with a 63mm profiled wooden valance and clear plastic clips as default. For face fix applications, 2x mitred returns will be supplied.

Blinds are fitted with classic string tape. Heritage cotton tape is available on request.

Blinds can be fitted with hold-down brackets with pins. Hold-down brackets will keep the bottom rail in place while allowing the slats to be tilted. Hold-down brackets can be fitted recess or on face.



“Classic String Tape”



“Heritage Cotton Tape”