

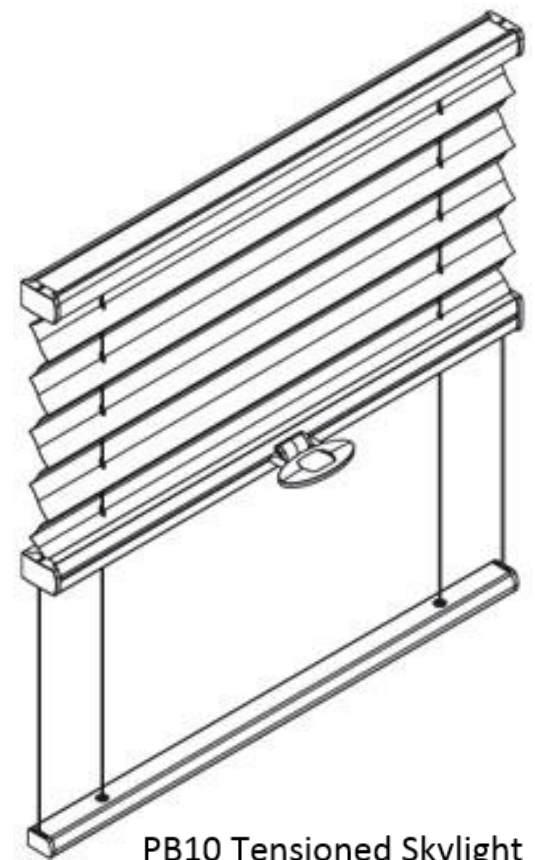
Duette® Architella® Shades

Over 50% of a home's heating and cooling energy can be lost through its windows and that's why we designed Luxaflex® Duette® Architella® Shades to help keep your home cool in the summer and warm in the



Energy Efficient Style

The original Duette® Shades are as beautifully stylish as they are energy-efficient – enjoy stunning designs and colours with a unique honeycomb design that helps insulate your home all year round.



Skylight blinds

Complete control of light, smart control of heat

Adding a skylight (or a loft window as they are sometimes called) can be a great way of making a room brighter and giving it an overall more open, airier feel.

But all that sunlight can be a little glaring – and can uncomfortably heat and that where a Luxaflex® Skylight blind can really make a difference to the comfort in your home.



Unique Design for Windows

Duette® Shades trap air inside to cleverly keep heat out in summer and warmth in during the winter so you enjoy ideal year-round comfort and welcome savings on your energy bills.

Enjoy the light – control the heat

Skylights can often be an integral part of a conservatory; and if you have a conservatory, you'll know they can trap heat in summer and let heat out in the winter. There's one easy answer – simply add stylish, energy-efficient Duette® Shades to give you wonderful climate control all year round plus the right amount of privacy.



Cleaning Duette® Shades

The fabric of both Duette® and Plissé Shades cannot be separated from the head rail and bottom rail. To prevent the Duette® and Plissé fabrics from becoming dirty, the blinds should be cleaned regularly with a feather duster or with a vacuum cleaner at a low setting.

Stains should be removed as quickly as possible with a soft sponge and lukewarm water containing a non-synthetic detergent, if required.